

# WEGA

ORIGINAL QUALITY

## CATÁLOGO DE MOTO

### LINHA DE FILTROS E VELAS



#### Qualidade & Tecnologia:

*A Wega segue rigorosamente todas as especificações técnicas no desenvolvimento dos seus produtos, em conformidade com os projetos das montadoras de veículos nacionais e importados.*



Montadora	Modelo	Classificação do Modelo	Ano	F. AR	F. ÓLEO	F. COMBUSTÍVEL	Opcional
BMW	C600	Sport	13 -- 15	-	JFO-0B00	-	-
BMW	C650	(GT)	2015 -->	-	JFO-0B00	-	-
BMW	F 650	--	00 -- 07	FAP-1009	JFO-0025	-	-
BMW	F 650	CS	02 -- 05	-	JFO-0025	-	-
BMW	F 650	GS	00 -- 11	FAP-1009	-	-	-
BMW	F 650	GS Dakar	00 -- 11	FAP-1009	-	-	-
BMW	F 700	(GS)	13 -- 14	-	JFO-0B00	-	-
BMW	F 800	GS	08 -- 14	-	JFO-0B00	-	-
BMW	F 800	GS	08 -- 14	FAP-1011	-	-	-
BMW	F 800	GS Adventure	2014 -->	-	JFO-0B00	-	-
BMW	F 800	GS Adventure	2014 -->	FAP-1011	-	-	-
BMW	F 800	GT	13 -- 14	-	JFO-0B00	-	-
BMW	F 800	GT	13 -- 14	FAP-1011	-	-	-
BMW	F 800	R	09 -- 13	-	JFO-0B00	-	-
BMW	F 800	R	09 -- 13	FAP-1011	-	-	-
BMW	F 800	S	06 -- 08	FAP-1011	-	-	-
BMW	F 800	S	13 -- 14	-	JFO-0B00	-	-
BMW	F 800	ST	06 -- 12	-	JFO-0B00	-	-
BMW	F 800	ST	06 -- 12	FAP-1011	-	-	-
BMW	F 850	GS	2019 -->	-	JFO-0B00	-	-
BMW	G 310 GS	--	2018 -->	FAP-1010	JFO-0B01	-	-
BMW	G 310 R	--	2017 -->	FAP-1010	JFO-0B01	-	-
BMW	G 650	GS	10 -- 16	FAP-1009	JFO-0025	-	-
BMW	G 650	X	07 -- 08	-	JFO-0025	-	-
BMW	K 1	--	89 -- 93	-	-	FCC-400	FCC-404
BMW	K 100	(LS / LT / RT)	83 -- 93	-	-	FCC-400	FCC-404
BMW	K 1100	(LT/RS)	90 -- 93	-	-	FCC-400	FCC-404
BMW	K 1200	(GT / LT / RS)	99 -- 03	-	-	FCC-400	FCC-404
BMW	K 1600	(GT / GTL)	11 -- 14	-	JFO-0B00	-	-
BMW	K 75	--	85 -- 92	-	-	FCC-400	FCC-404
BMW	R 100	(PD)	90 -- 91	-	-	FCC-400	FCC-404
BMW	R 1100	(GS / R / RS / RT)	93 -- 01	-	-	FCC-400	FCC-404
BMW	R 1150	(GS / R / RS / RT)	00 -- 03	-	-	FCC-400	FCC-404
BMW	R 1200	(C)	99 -- 03	-	-	FCC-400	FCC-400
BMW	R 1200	(CL)	2003	-	-	FCC-400	FCC-404
BMW	R 1200	GS	04 -- 12	FAP-1011	-	-	-
BMW	R 1200	GS	04 -- 12	FAP-1011	JFO-0B00	-	-
BMW	R 1200	GS	2013 -->	FAP-1012	JFO-0B00	-	-
BMW	R 1200	GS / RT	2012 -->	FAP-1012	-	-	-
BMW	R 1200	GS Adventure	06 -- 12	FAP-1011	-	-	-
BMW	R 1200	R	2014 -->	FAP-1012	-	-	-
Dafra	Apache		150 Apache 150	-	JFO-0021	-	-
Dafra	Maxsym	400i	2015 -->	JFA-0M81	JFO-0012	-	-
Ducati		748 (R / S)	97 -- 03	-	-	FCC-400	FCC-404
Ducati		916 --	94 -- 97	-	-	FCC-400	FCC-404
Ducati		996 (R / S)	00 -- 01	-	-	FCC-400	FCC-404
Ducati		998 --	02 -- 03	-	-	FCC-400	FCC-404
Ducati		999 (S)	2003	-	-	FCC-400	FCC-404
Ducati	907 ie	--	92 -- 97	-	-	FCC-400	FCC-404
Ducati	MH 900	(E)	01 -- 02	-	-	FCC-400	FCC-404
Ducati	Monster		2001	-	-	FCC-400	FCC-404
Ducati	Monster		750	97 -- 02	-	FCC-400	FCC-404
Ducati	Monster		800	02 -- 03	-	FCC-400	FCC-404
Ducati	Monster		1000	2003	-	FCC-400	FCC-404
Ducati	Monster	S4	01 -- 03	-	-	FCC-400	FCC-404
Ducati	Paso	--	86 -- 90	-	-	FCC-400	FCC-404
Ducati	Sport	--	2003	-	-	FCC-400	FCC-404
Ducati	SS	--	2003	-	-	FCC-400	FCC-404
Ducati	ST2	--	98 -- 03	-	-	FCC-400	FCC-404
Ducati	ST4	--	99 -- 03	-	-	FCC-400	FCC-404
Ducati	Superbike	--	90 -- 97	-	-	FCC-400	FCC-404
Ducati	Supersport	--	90 -- 02	-	-	FCC-400	FCC-404
Harley Davidson	Deuce	FXSTD Softail	00 -- 05	-	JFO-0050	FCC-400	FCC-404
Harley Davidson	Dyna	FXDS	99 -- 00	-	JFO-0050	FCC-400	FCC-404
Harley Davidson	Dyna	Glide Sport FXDX	99 -- 03	-	JFO-0050	FCC-400	FCC-404
Harley Davidson	Dyna	Low Rider FXDL	99 -- 03	-	JFO-0050	FCC-400	FCC-404
Harley Davidson	Dyna	Super Glide FXD	99 -- 03	-	JFO-0050	FCC-400	FCC-404
Harley Davidson	Dyna	T-Sport FXDXT	01 -- 03	-	JFO-0050	FCC-400	FCC-404
Harley Davidson	Dyna	Wide Glide FXDWG	99 -- 03	-	JFO-0050	FCC-400	FCC-404
Harley Davidson	Electra	Glide Classic FLHTC	84 -- 03	-	JFO-0050	FCC-400	FCC-404
Harley Davidson	Electra	Glide FLHT	96 -- 03	-	JFO-0050	FCC-400	FCC-404
Harley Davidson	Fat Boy	FLSTF	87 -- 03	-	JFO-0050	FCC-400	FCC-404
Harley Davidson	FLHR-I	--	97 -- 03	-	JFO-0050	FCC-400	FCC-404
Harley Davidson	FLHS	--	87 -- 94	-	JFO-0050	FCC-400	FCC-404
Harley Davidson	FLHTCU Ultra Glide / Classic	--	87 -- 03	-	JFO-0050	FCC-400	FCC-404
Harley Davidson	FLHTP	--	95 -- 96	-	JFO-0050	FCC-400	FCC-404
Harley Davidson	FLST	--	80 -- 00	-	JFO-0050	FCC-400	FCC-404
Harley Davidson	FLT	--	80 -- 90	-	JFO-0050	FCC-400	FCC-404
Harley Davidson	FLTC	--	80 -- 92	-	JFO-0050	FCC-400	FCC-404
Harley Davidson	FLTC-U	--	87 -- 96	-	JFO-0050	FCC-400	FCC-404
Harley Davidson	FLTRI	--	98 -- 03	-	JFO-0050	FCC-400	FCC-404
Harley Davidson	FXDB	--	91 -- 96	-	JFO-0050	FCC-400	FCC-404
Harley Davidson	FXLR	--	87 -- 94	-	JFO-0050	FCC-400	FCC-404
Harley Davidson	FXR	--	82 -- 94	-	JFO-0050	FCC-400	FCC-404
Harley Davidson	FXRS	--	87 -- 92	-	JFO-0050	FCC-400	FCC-404
Harley Davidson	FXRT	--	87 -- 92	-	JFO-0050	FCC-400	FCC-404
Harley Davidson	Heritage	Softail Classic FLSTC	80 -- 03	-	JFO-0050	FCC-400	FCC-404
Harley Davidson	Heritage	Springer FLSTS	97 -- 03	-	JFO-0050	FCC-400	FCC-404
Harley Davidson	Night Train	FXSTB	01 -- 03	-	JFO-0050	FCC-400	FCC-404
Harley Davidson	Road Glide	FLTR	98 -- 02	-	JFO-0050	FCC-400	FCC-404
Harley Davidson	Road King	Classic FLHRCI	98 -- 03	-	JFO-0050	FCC-400	FCC-404
Harley Davidson	Road King	FLHR	94 -- 98	-	JFO-0050	FCC-400	FCC-404
Harley Davidson	Road King	FLHR	99 -- 03	-	JFO-0050	FCC-400	FCC-404



Montadora	Modelo	Classificação do Modelo	Ano	F. AR	F. ÓLEO	F. COMBUSTÍVEL	Opcional
Harley Davidson	Softail	Classic / Special FXSTS	95 -- 97	-	JFO-0050	FCC-400	FCC-404
Harley Davidson	Softail	FXST	00 -- 03	-	JFO-0050	FCC-400	FCC-404
Harley Davidson	Softail	FXSTC	87 -- 00	-	JFO-0050	FCC-400	FCC-404
Harley Davidson	Softail	FXSTS	00 -- 03	-	JFO-0050	FCC-400	FCC-404
Harley Davidson	XL	--	84 -- 85	-	JFO-0050	FCC-400	FCC-404
Harley Davidson	XL	1200 Sport Custom	1994 -->	-	JFO-0050	FCC-400	FCC-404
Harley Davidson	XL	883 Sport / Custom / Hugger	1994 -->	-	JFO-0050	FCC-400	FCC-404
Harley Davidson	XLC	--	93 -- 94	-	JFO-0050	FCC-400	FCC-404
Harley Davidson	XLCH	--	93 -- 94	-	JFO-0050	FCC-400	FCC-404
Harley Davidson	XLH	--	86 -- 03	-	JFO-0050	FCC-400	FCC-404
Harley Davidson	XLS	--	84 -- 85	-	JFO-0050	FCC-400	FCC-404
Harley Davidson	XLX	--	84 -- 85	-	JFO-0050	FCC-400	FCC-404
Honda	Biz	110i	2016 -->	JFA-0M47	-	-	-
Honda	Biz 125	(ES/KS)	06 -- 11	FAP-1001	-	-	-
Honda	Biz 125	(ES/KS)	2011 -->	JFA-0M47	-	FCI-0201	-
Honda	Biz 125	Flex - (EX/ Injection)	2011 -->	JFA-0M47	-	FCI-0201	-
Honda	CB 1000	F	93 -- 95	-	JFO-0411P	FCC-400	FCC-404
Honda	CB 1000	F Super Four	93 -- 96	-	JFO-0411P	FCC-400	FCC-404
Honda	CB 1100	F X-Eleven	1999 -->	-	JFO-0411P	FCC-400	FCC-404
Honda	CB 1100	R	82 -- 85	-	JFO-0411P	FCC-400	FCC-404
Honda	CB 1100	SF X-Eleven	00 -- 03	-	JFO-0411P	FCC-400	FCC-404
Honda	CB 1300	--	2007 -->	WR-007	-	-	-
Honda	CB 1300	F / Super Four	2003 -->	-	JFO-0411P	FCC-400	FCC-404
Honda	CB 1300	X4	97 -- 99	-	JFO-0411P	FCC-400	FCC-404
Honda	CB 250	Twister flexone	2013 -->	JFA-0M79	-	FCI-0203	-
Honda	CB 300 R	--	09 -- 15	WR-008	JFO-0014	-	-
Honda	CB 300 R	--	2013 -->	-	-	FCI-0203	-
Honda	CB 300 R	flex	2013 -->	-	-	FCI-0203	-
Honda	CB 300 R	flex ABS	2013 -->	-	-	FCI-0203	-
Honda	CB 400	FCB1	89 -- 92	-	JFO-0411P	FCC-400	FCC-404
Honda	CB 450 R	--	82 -- 94	-	-	FCC-400	FCC-404
Honda	CB 500	--	97 -- 05	JFA-0M15	JFO-0411P	FCC-400	FCC-404
Honda	CB 500	F Four / K	71 -- 77	-	JFO-0411P	FCC-400	FCC-404
Honda	CB 600	(Hornet)	05 -- 10	JFA-0M26	JFO-0411P	-	-
Honda	CB 600 F	(Hornet)	2008 -->	JFA-0M26	JFO-0411P	-	-
Honda	CB 700 SC	--	1984 -->	-	JFO-0411P	FCC-400	FCC-404
Honda	CB 750	Four / K	69 -- 78	-	JFO-0411P	FCC-400	FCC-404
Honda	CB 750	Nighthawk	91 -- 95	-	JFO-0411P	FCC-400	FCC-404
Honda	CB 750	Seven-Fifty/Nighthawk	91 -- 03	-	JFO-0411P	FCC-400	FCC-404
Honda	CB-1 400 F	--	89 -- 92	-	JFO-0411P	FCC-400	FCC-404
Honda	CBR 1000	--	08 -- 09	-	JFO-0411P	FCC-400	FCC-404
Honda	CBR 1000	CBR 1100 XX Super Blackbird	1997 -->	-	JFO-0411P	FCC-400	FCC-404
Honda	CBR 1000	F / F Hurricane	87 -- 00	-	JFO-0411P	FCC-400	FCC-404
Honda	CBR 1000	RR	04 -- 06	WR-006	JFO-0411P	-	-
Honda	CBR 250	R	2012 -->	-	JFO-0014	-	-
Honda	CBR 600	(C Shadow)	95 -- 05	-	JFO-0411P	FCC-400	FCC-404
Honda	CBR 600	F2	91 -- 94	JFA-0M19	JFO-0411P	FCC-400	FCC-404
Honda	CBR 600	F3 / F4	87 -- 02	-	JFO-0411P	FCC-400	FCC-404
Honda	CBR 900	RR Fireblade / RPV	1994 -->	-	JFO-0411P	FCC-400	FCC-404
Honda	CBX250	Twister	01 -- 09	WR-002	JFO-0014	FCC-400	FCC-404
Honda	CBX750	Four	86 -- 89	JFA-0M29	-	-	-
Honda	CBX750	Indy	90 -- 94	JFA-0M29	-	-	-
Honda	CG	Sport / Titan - (ES / ESD / KS)	2004 -->	WR-001	-	FCC-400	FCC-404
Honda	CG	Titan / Today- (ES / KS / KSD)	95 -- 07	JFA-0M03	-	-	-
Honda	CG	Titan 150	09 -- 10	-	-	FCI-0207	-
Honda	CG 125	Cargo	2009	FAP-1002	-	-	-
Honda	CG 125	Cargo (ESD / KS)	2010	FAP-1002	-	-	-
Honda	CG 125	Cargo / Fan - (ES / ESD / KS)	2008 -->	FAP-1002	-	-	-
Honda	CG 125	Fan (ES / ESD)	13 -- 14	FAP-1002	-	-	-
Honda	CG 125	Fan flex	2011 -->	-	-	FCI-0201	-
Honda	CG 125	Flex	2014 -->	JFA-0M72	-	-	-
Honda	CG 150	Cargo	2015 -->	FAP-1002	-	-	-
Honda	CG 150	Fan	2009	FAP-1002	-	-	-
Honda	CG 150	Fan flex	2010 -->	FAP-1002	-	-	-
Honda	CG 150	Flex	2014 -->	JFA-0M72	-	-	-
Honda	CG 150	Start	2015 -->	FAP-1002	-	-	-
Honda	CG 150	Titan flex (ESD / EX)	2013 -->	FAP-1002	-	-	-
Honda	CG 150	Titan Mix	09 -- 13	FAP-1002	-	-	-
Honda	CG 160	Fan 160	2016 -->	JFA-0M72	-	FCI-0201	-
Honda	CG 160	Start 160	2016 -->	JFA-0M72	-	FCI-0201	-
Honda	CG 160	--	2016 -->	JFA-0M72	-	FCI-0201	-
Honda	CRF	150R	07 -- 09	-	JFO-0015	-	-
Honda	CRF	250 R/X	04 -- 05	-	JFO-0015	-	-
Honda	CRF	250F	2019 -->	-	JFO-0014	-	-
Honda	CRF	450 R/X	06 -- 09	-	JFO-0015	-	-
Honda	CTX 700N	--	2014	-	JFO-0411P	-	-
Honda	Dominator	--	92 -- 94	-	JFO-0411P	FCC-400	FCC-404
Honda	F 6C	1500 Valkyrie	1997 -->	-	JFO-0411P	FCC-400	FCC-404
Honda	GL	--	94 -- 97	-	JFO-0411P	FCC-400	FCC-404
Honda	GL	1500 A Aspencade / C Valkyrie / SE Goldwing	88 -- 00	-	JFO-0411P	FCC-400	FCC-404
Honda	GL	1800 Goldwing	01 -- 03	-	JFO-0411P	FCC-400	FCC-404
Honda	GL	1800 Goldwing	06 -- 09	JFA-0M13	-	-	-
Honda	Lead 110	--	2010 -->	JFA-0M04	-	-	-
Honda	NC 700x	ABS	13 -- 15	-	JFO-0411P	-	-
Honda	NC 750x	ABS	2015 -->	-	JFO-0411P	-	-
Honda	NRX 1800	Rune	2004 -->	-	JFO-0411P	-	-
Honda	NT 650	Hawk GT	88 -- 91	-	JFO-0411P	FCC-400	FCC-404
Honda	NX 350	(Sahara)	90 -- 99	-	JFO-0014	FCC-400	FCC-404
Honda	NX 4	Falcon	1999 -->	JFA-0M00	JFO-0014	FCC-400	FCC-404
Honda	NXR	--	2015 -->	FAP-1002	-	FCI-0201	-
Honda	NXR 125	Bros (ES / KS)	03 -- 05	FAP-1002	-	FCC-400	FCC-404
Honda	NXR 125	Bros KS	2013 -->	FAP-1002	-	-	-
Honda	NXR 150	Bros	03 -- 10	FAP-1002	-	-	-

Montadora	Modelo	Classificação do Modelo	Ano	F. AR	F. ÓLEO	F. COMBUSTÍVEL	Opcional
Honda	NXR 150	Bros - (ES / ESD / KS)	03 -- 10	FAP-1002	-	FCC-400	FCC-404
Honda	NXR 150	Bros - (ES / ESD / KS)	09 -- 11	FAP-1002	-	FCI-0200	-
Honda	NXR 150	Bros (MIX / flex)	03 -- 10	FAP-1002	-	-	-
Honda	NXR 150	Bros flex - (ES / ESD / KS)	2011 -->	FAP-1002	-	FCI-0201	-
Honda	NXR 150	Bros flex ESD	2010 -->	FAP-1002	-	FCI-0201	-
Honda	PC 800	R Pacific Coast	1988 -->	-	JFO-0411P	FCC-400	FCC-404
Honda	PCX 150	(DLX)	2013 -->	JFA-0M76	-	-	-
Honda	PCX 150	DLX / Sport	2018 -->	JFA-0M64	-	-	-
Honda	POP 100	--	2007	FAP-1002	-	-	-
Honda	RVF	750 R	93 -- 97	-	JFO-0411P	FCC-400	FCC-404
Honda	RVT	1000 R	00 -- 02	-	JFO-0411P	FCC-400	FCC-404
Honda	SH 150i	DLX	2017 -->	JFA-0M61	-	-	-
Honda	Shadow	AM 750	06 -- 08	JFA-0M14	-	-	-
Honda	Shadow	VT 1100 C	88 -- 95	-	JFO-0411P	FCC-400	FCC-404
Honda	Shadow	VT 1100 T	1998 -->	-	JFO-0411P	FCC-400	FCC-404
Honda	Shadow	VT 600 C / CD	88 -- 03	JFA-0M12	JFO-0411P	FCC-400	FCC-404
Honda	Shadow	VT 750	97 -- 02	-	JFO-0411P	FCC-400	FCC-404
Honda	ST		1300 2003 -->	-	JFO-0411P	FCC-400	FCC-404
Honda	ST	1100 - (T / V / X)	91 -- 00	-	JFO-0411P	FCC-400	FCC-404
Honda	TRX 350	(Fourtrax FM/TM Quadríciclo)	2004 -->	-	JFO-0014	FCC-400	FCC-404
Honda	TRX 400	EX Four Trax / Sportrax	99 -- 03	-	JFO-0014	FCC-400	FCC-404
Honda	TRX 450	Four Trax / Foreman S/ES	98 -- 02	-	JFO-0014	FCC-400	FCC-404
Honda	TRX 450	R/ER	04 -- 14	-	JFO-0015	-	-
Honda	TRX 500	Four Trax / Foreman / Rubicon	01 -- 03	-	-	FCC-400	FCC-404
Honda	TRX 650	F Rincon	2003 -->	-	-	FCC-400	FCC-404
Honda	VF 1000 F/R	--	1984 -->	-	JFO-0411P	FCC-400	FCC-404
Honda	VF 1100 C/S	--	1984 -->	-	JFO-0411P	FCC-400	FCC-404
Honda	VF 500 C/F	--	1984 -->	-	JFO-0411P	FCC-400	FCC-404
Honda	VF 700 C/F/S	--	1984 -->	-	JFO-0411P	FCC-400	FCC-404
Honda	VF 750 C	--	82 -- 84	-	JFO-0411P	FCC-400	FCC-404
Honda	VFR 750 F / R	--	86 -- 98	-	JFO-0411P	FCC-400	FCC-404
Honda	VFR 800 F/A/ABS	--	98 -- 01	-	JFO-0411P	FCC-400	FCC-404
Honda	VR 700 F/F2	--	1984 -->	-	JFO-0411P	FCC-400	FCC-404
Honda	VT	1100 C2	1995 -->	-	JFO-0411P	FCC-400	FCC-404
Honda	VT 500	C/FT	1984 -->	-	JFO-0411P	FCC-400	FCC-404
Honda	VT 700	C	1984 -->	-	JFO-0411P	FCC-400	FCC-404
Honda	VT 750	C / DC / Black Widow	00 -- 03	-	JFO-0411P	FCC-400	FCC-404
Honda	VT 750	Shadow	06 -- 14	-	JFO-0411P	-	-
Honda	VT 800	--	1994	-	JFO-0411P	FCC-400	FCC-404
Honda	VTR 1000	F	97 -- 98	-	JFO-0411P	FCC-400	FCC-404
Honda	VTX 1300	(S/C/R)	2003 -->	-	JFO-0411P	FCC-400	FCC-404
Honda	VTX 1800	--	06 -- 07	JFA-0M20	-	-	-
Honda	VTX 1800	--	2001 -->	-	JFO-0411P	FCC-400	FCC-404
Honda	XL	1000 V Varadero	1999 -->	-	JFO-0411P	FCC-400	FCC-404
Honda	XL	250R	84 -- 97	-	JFO-0014	FCC-400	FCC-404
Honda	XL	350 R	84 -- 90	-	JFO-0014	FCC-400	FCC-404
Honda	XL	700v Transalp	11 -- 14	-	JFO-0411P	-	-
Honda	XLX	250R	1995 -->	-	JFO-0014	FCC-400	FCC-404
Honda	XLX	350 R	90 -- 91	-	JFO-0014	FCC-400	FCC-404
Honda	XR		350 1995 -->	-	JFO-0014	FCC-400	FCC-404
Honda	XR	250 Tornado	2001 -->	FAP-1003	JFO-0014	FCC-400	FCC-404
Honda	XR	250L	91 -- 96	-	JFO-0014	FCC-400	FCC-404
Honda	XR	400 R	96 -- 02	-	JFO-0014	FCC-400	FCC-404
Honda	XR	600 R	85 -- 98	-	JFO-0014	FCC-400	FCC-404
Honda	XR	650 L / R	93 -- 03	-	JFO-0014	FCC-400	FCC-404
Honda	XRE		300 2010 -->	WR-005	JFO-0014	FCI-0200	-
Honda	XRE		300 2013 -->	-	-	FCI-0203	-
Honda	XRE	300 flex (ABS)	2013 -->	-	-	FCI-0203	-
Honda	XRV	750 - (T / V / X / W)	2000 -->	-	JFO-0411P	FCC-400	FCC-404
Kasinski	Comet 250	--	05 -- 13	-	JFO-0021	-	-
Kasinski	Cruise 125	--	97 -- 06	-	JFO-0021	-	-
Kasinski	Fúria 250	--	2003	-	JFO-0021	-	-
Kasinski	GF		125 97 -- 05	-	JFO-0021	-	-
Kasinski	Mirage		250 01 -- 13	-	JFO-0021	-	-
Kawasaki	ER 500 Twister	--	1997 -->	-	JFO-0411P	FCC-400	FCC-404
Kawasaki	KL		250 85 -- 99	-	JFO-0013	FCC-400	FCC-404
Kawasaki	KL		650 92 -- 02	-	JFO-0013	FCC-400	FCC-404
Kawasaki	KLE	500 AS	1994 -->	-	JFO-0411P	FCC-400	FCC-404
Kawasaki	KLF		400 1990 -->	-	JFO-0411P	FCC-400	FCC-404
Kawasaki	KLF	220 Bayou	88 -- 02	-	-	FCC-400	FCC-404
Kawasaki	KLR		250 85 -- 99	-	JFO-0013	FCC-400	FCC-404
Kawasaki	KLR		650 92 -- 02	-	JFO-0013	FCC-400	FCC-404
Kawasaki	KLX	650 R	93 -- 96	-	JFO-0013	FCC-400	FCC-404
Kawasaki	KVF	650 Prairie 650	02 -- 03	-	JFO-0411P	FCC-400	FCC-404
Kawasaki	Ninja 300	--	2013 -->	-	JFO-0411P	-	-
Kawasaki	Ninja EX		250 2003 -->	-	-	FCC-400	FCC-404
Kawasaki	Ninja EX		250 92 -- 02	-	-	FCC-400	FCC-404
Kawasaki	Ninja EX		500 90 -- 96	-	JFO-0411P	FCC-400	FCC-404
Kawasaki	Ninja EX		600 90 -- 93	-	JFO-0411P	FCC-400	FCC-404
Kawasaki	Ninja ZX		600 90 -- 94	-	JFO-0411P	FCC-400	FCC-404
Kawasaki	Ninja ZX	11 1100	90 -- 01	-	-	FCC-400	FCC-404
Kawasaki	Ninja ZX	12R 1200	00 -- 05	-	JFO-0411P	FCC-400	FCC-404
Kawasaki	Ninja ZX	7R 700	96 -- 02	-	JFO-0411P	FCC-400	FCC-404
Kawasaki	Ninja ZX	9R 900	94 -- 03	-	JFO-0411P	FCC-400	FCC-404
Kawasaki	Ninja ZZR		600 1990 -->	-	JFO-0411P	FCC-400	FCC-404
Kawasaki	Vulcan EN 500	--	90 -- 05	-	JFO-0411P	FCC-400	FCC-404
Kawasaki	Vulcan VN 1500	--	87 -- 05	-	JFO-0411P	FCC-400	FCC-404
Kawasaki	Vulcan VN 750	--	86 -- 05	-	JFO-0411P	FCC-400	FCC-404
Kawasaki	Vulcan VN 800	--	96 -- 05	-	JFO-0411P	FCC-400	FCC-404
Kawasaki	W 650	--	99 -- 02	-	JFO-0411P	FCC-400	FCC-404
Kawasaki	Z 450	LTD	85 -- 89	-	JFO-0411P	FCC-400	FCC-404
Kawasaki	Z 750	--	2009 -->	JFA-0M07	-	-	-
Kawasaki	Z300	--	2015 -->	-	JFO-0411P	-	-



Montadora	Modelo	Classificação do Modelo	Ano	F. AR	F. ÓLEO	F. COMBUSTÍVEL	Opcional
Kawasaki	ZG 1000 Concours	--	00 -- 03	-	-	FCC-400	FCC-404
Kawasaki	ZG 1000 Concours	--	86 -- 98	-	JFO-0033	FCC-400	FCC-404
Kawasaki	ZG 1200 Voyager	--	86 -- 03	-	-	FCC-400	FCC-404
Kawasaki	ZR 1100	--	2000 -->	-	-	FCC-400	FCC-404
Kawasaki	ZR 1100	--	92 -- 95	-	JFO-0033	FCC-400	FCC-404
Kawasaki	ZR 1200	--	2002 -->	-	-	FCC-400	FCC-404
Kawasaki	ZR 7	--	1999	-	JFO-0411P	FCC-400	FCC-404
Kawasaki	ZR 750	--	00 -- 03	-	JFO-0033	FCC-400	FCC-404
Kawasaki	ZRX 1200 R	--	2002 -->	-	-	FCC-400	FCC-404
Kawasaki	ZRX 750	--	88 -- 91	-	JFO-0411P	FCC-400	FCC-404
Kawasaki	ZX 10	--	2010 -->	JFA-0M09	-	-	-
Kawasaki	ZX 6R	--	2010 -->	JFA-0M08	-	-	-
Kawasaki	ZXR 1100	--	00 -->	-	-	FCC-400	FCC-404
Kawasaki	ZXR 400	--	91 -- 00	-	JFO-0411P	FCC-400	FCC-404
Kawasaki	ZXR 600 (H1/H2)	--	89 -- 99	-	JFO-0411P	FCC-400	FCC-404
Kawasaki	ZXR 750 R	--	90 -- 95	-	JFO-0411P	FCC-400	FCC-404
KTM	Duke		200	2015 -->	JFA-0M91	JFO-0026	-
KTM	Duke		390	15 -- 17	JFA-0M91	JFO-0026	-
KTM	Duke		390	2018 -->	JFA-0M92	-	-
KTM	Duke		640	99 -- 06	-	JFO-0026	-
KTM	Duke		690	09 -- 10	-	JFO-0026	-
KTM	EXC		250	04 -- 12	-	JFO-0026	-
KTM	SX	250 F		99 -- 11	-	JFO-0026	-
KTM	XCFW		250	05 -- 13	-	JFO-0026	-
Polaris	ACE 325	Quadriciclo		WR-018	-	-	-
Polaris	ACE 500	Quadriciclo		WR-018	-	-	-
Polaris	ACE 570	Quadriciclo		WR-018	-	-	-
Polaris	RANGER 500	Quadriciclo		WR-018	-	-	-
Polaris	RANGER 570	Quadriciclo		WR-018	-	-	-
Polaris	RANGER CREW 570	Quadriciclo		WR-018	-	-	-
Polaris	RANGER ETX	Quadriciclo		WR-018	-	-	-
Polaris	SPORTSMAN 1000	Quadriciclo		WR-017	-	-	-
Polaris	SPORTSMAN 450	Quadriciclo		WR-017	-	-	-
Polaris	SPORTSMAN 570	Quadriciclo		WR-017	-	-	-
Polaris	SPORTSMAN 850	Quadriciclo		WR-017	-	-	-
Polaris	SPORTSMAN ACE 325	Quadriciclo		WR-018	-	-	-
Polaris	SPORTSMAN ACE 570	Quadriciclo		WR-018	-	-	-
Sundown	Future	--		05 -- 13	WR-009	-	-
Suzuki	AN 650	BurGeneral Motorsan		2002 -->	-	JFO-0890	FCC-400
Suzuki	Bandit	GSF 1200 S		97 -- 03	-	JFO-0890	FCC-400
Suzuki	Bandit	GSF 600		95 -- 99	-	JFO-0890	FCC-400
Suzuki	Bandit	GSF 600/600 S		00 -- 04	-	JFO-0890	FCC-400
Suzuki	Bandit	GSF 600/600 S		95 -- 99	-	JFO-0890	FCC-400
Suzuki	Bandit	GSF 650 - 650 cc		05 -- 11	-	JFO-0890	-
Suzuki	Bandit	GSF 650 S		05 -- 11	-	JFO-0890	-
Suzuki	Bandit	GSF 650 S		2005 -->	JFA-0M45	-	-
Suzuki	Burgman		400	00 -- 16	-	JFO-0012	-
Suzuki	Burgman	AN 125		2005 -->	JFA-0M40	JFO-0021	-
Suzuki	DL	1000 V-Strom		03 -- 13	JFA-0M46	-	-
Suzuki	DL	1000 V-Strom		2003 -->	-	JFO-0890	-
Suzuki	DL	1000 V-Strom		2014 -->	JFA-0M84	-	-
Suzuki	DL	1000 V-Strom XT		2018 -->	JFA-0M84	-	-
Suzuki	DL	650 V-Strom		03 -- 13	JFA-0M46	-	-
Suzuki	DR-Z 125	--		2003 -->	-	JFO-0012	FCC-400
Suzuki	EN 125 Yes	--		2005 -->	-	JFO-0021	-
Suzuki	GS 500	E		89 -- 00	-	-	FCC-400
Suzuki	GS 500	K		01 -- 03	-	-	FCC-400
Suzuki	G SX 1100	F / G		88 -- 96	-	JFO-0890	FCC-400
Suzuki	G SX 1300	R Hayabusa		98 -- 07	-	JFO-0890	FCC-400
Suzuki	G SX 600	F Katana		88 -- 99	-	JFO-0890	FCC-400
Suzuki	G SX 600 R	--		92 -- 93	-	JFO-0890	FCC-400
Suzuki	G SX 600 R	--		97 -- 98	-	JFO-0890	FCC-400
Suzuki	G SX 650 F	--		08 -- 12	-	JFO-0890	-
Suzuki	G SX 750 F	Katana		98 -- 03	-	JFO-0890	FCC-400
Suzuki	G SX R 1000	--		01 -- 04	-	JFO-0890	FCC-400
Suzuki	G SX R 600	--		1997 -->	-	JFO-0890	FCC-400
Suzuki	G SX R 750	--		1989 -->	-	JFO-0890	FCC-400
Suzuki	GV 1200	--		1985 -->	-	-	FCC-400
Suzuki	GV 1400	Cavalcade		87 -- 88	-	JFO-0890	FCC-400
Suzuki	GV 700	--		1985 -->	-	-	FCC-400
Suzuki	Intruder		125	2002 -->	-	JFO-0021	-
Suzuki	Intruder	VL 1500		98 -- 03	-	JFO-0890	FCC-400
Suzuki	Intruder	VL 800		01 -- 03	-	JFO-0890	FCC-400
Suzuki	Intruder	VS 1400		87 -- 94	-	JFO-0890	FCC-400
Suzuki	Intruder	VS 1400 GL		87 -- 98	-	JFO-0890	FCC-400
Suzuki	Intruder	VS 1400 GLF		87 -- 03	-	JFO-0890	FCC-400
Suzuki	Intruder	VS 1400 GLP		87 -- 03	-	JFO-0890	FCC-400
Suzuki	Intruder	VS 800 GL		92 -- 96	-	JFO-0890	FCC-400
Suzuki	Intruder	VS 800 GL		98 -- 03	-	JFO-0890	FCC-400
Suzuki	Katana		125	97 -- 02	-	JFO-0021	-
Suzuki	SV 1000	--		2003 -->	-	JFO-0890	FCC-400
Suzuki	SV 650	--		99 -- 08	-	JFO-0890	FCC-400
Suzuki	SV 650 S	--		99 -- 08	-	JFO-0890	FCC-400
Suzuki	SV 650 SU	--		99 -- 08	-	JFO-0890	FCC-400
Suzuki	TL 1000	R		98 -- 03	-	JFO-0890	FCC-400
Suzuki	TL 1000	S		97 -- 01	-	JFO-0890	FCC-400
Suzuki	V Strom	--		2002 -->	-	JFO-0890	FCC-400
Suzuki	VS 1400 P/F	--		87 -- 98	-	JFO-0890	FCC-400
Suzuki	VS 700	--		1985 -->	-	-	FCC-400
Suzuki	VS 750	--		1989 -->	-	JFO-0890	FCC-400
Suzuki	VS 800	--		1992 -->	-	JFO-0890	FCC-400
Suzuki	VX 800	--		90 -- 93	-	JFO-0890	FCC-400
Suzuki	VZ 800	Marauder		97 -- 03	-	JFO-0890	FCC-400

Montadora	Modelo	Classificação do Modelo	Ano	F. AR	F. ÓLEO	F. COMBUSTÍVEL	Opcional
Triumph	Bobber	--	17 -- 20	-	JFO-0411P	-	-
Triumph	Bongo	Bonneville (T100 / T120)	2012 ->	-	JFO-0411P	-	-
Triumph	Daytona	--	13 -- 16	-	JFO-0411P	-	-
Triumph	Rocket III	--	06 -- 09	-	JFO-0411P	-	-
Triumph	Scrambler	--	07 -- 10	-	JFO-0411P	-	-
Triumph	Scrambler	--	19 -- 20	-	JFO-0411P	-	-
Triumph	Speed Triple	--	06 -- 08	-	JFO-0411P	-	-
Triumph	Speed Twin	--	2019 ->	-	JFO-0411P	-	-
Triumph	Sprint	--	07 -- 09	-	JFO-0411P	-	-
Triumph	Street Cup	--	17 -- 18	-	JFO-0411P	-	-
Triumph	Street Scrambler	--	2017 ->	-	JFO-0411P	-	-
Triumph	Street Triple	--	2017 ->	-	JFO-0411P	-	-
Triumph	Street Twin	--	2016 ->	-	JFO-0411P	-	-
Triumph	Thruxton	--	06 -- 07	-	JFO-0411P	-	-
Triumph	Thunderbird	--	14 -- 16	-	JFO-0411P	-	-
Triumph	Tiger	--	07 -- 10	-	JFO-0411P	-	-
Triumph	Tiger	--	2014 ->	-	JFO-0411P	-	-
Triumph	Tiger	--	2014 ->	-	JFO-0411P	-	-
Triumph	Tiger	--	2018 ->	-	JFO-0411P	-	-
Triumph	Tiger	--	2020 ->	-	JFO-0411P	-	-
Triumph	Tiger	Explorer	12 -- 16	-	JFO-0411P	-	-
Triumph	Tiger	Explorer / XCA / XCX / XR / XC	2012 ->	JFA-0M85	-	-	-
Triumph	Tiger	Sport	13 -- 18	-	JFO-0411P	-	-
Triumph	Trophy	--	13 -- 14	-	JFO-0411P	-	-
Yamaha	Crosser 150	flex	2014 ->	-	-	FCl-0205	-
Yamaha	Crypton 115	--	10 -- 17	JFA-0M88	-	-	-
Yamaha	Factor 125i	--	2017 ->	-	JFO-0019	-	-
Yamaha	Fazer ( FZR ) 1000	--	01 -- 03	-	JFO-0411P	FCC-400	FCC-404
Yamaha	Fazer ( FZR ) 250	--	2006 ->	-	JFO-0017	-	-
Yamaha	Fazer ( FZR ) 600	Genesis	89 -- 93	-	JFO-0411P	FCC-400	FCC-404
Yamaha	Fazer ( FZR ) 600 R	Genesis	94 -- 96	-	JFO-0411P	FCC-400	FCC-404
Yamaha	Fazer ( FZR ) 750 RT	Genesis	87 -- 88	-	JFO-0411P	FCC-400	FCC-404
Yamaha	Fazer ( FZR )	Fazer (FZR) Genesis Exup	91 -- 95	-	JFO-0411P	FCC-400	FCC-404
Yamaha	Fazer 150	flex	2014 ->	JFA-0M89	JFO-0019	FCl-0205	-
Yamaha	Fazer 150	YS	2014 ->	-	JFO-0019	FCl-0205	-
Yamaha	Fazer 250	flex	2013 ->	-	-	FCl-0205	-
Yamaha	Fazer 250	Flex	2018 ->	JFA-0M87	-	-	-
Yamaha	FZ6 N	--	2009	-	JFO-0Y00	-	-
Yamaha	FZ6 S	--	07 -- 09	-	JFO-0Y00	-	-
Yamaha	FZS 1000 Fazer	--	00 -- 05	-	JFO-0411P	FCC-400	FCC-404
Yamaha	GTS 1000	--	1991 ->	-	JFO-0411P	FCC-400	FCC-404
Yamaha	Lander 250	--	2007 ->	-	JFO-0017	-	-
Yamaha	MT 03	--	2008	JFA-0M28	JFO-0Y00	-	-
Yamaha	MT 07	--	15 -- 16	-	JFO-0Y00	-	-
Yamaha	MT 09	--	2015 ->	JFA-0M80	JFO-0Y00	-	-
Yamaha	MT 09	Tracer	2016 ->	JFA-0M80	JFO-0Y00	-	-
Yamaha	Neo 115	--	06 -- 08	JFA-0M06	-	-	-
Yamaha	Neo 115	--	09 -- 10	JFA-0M05	-	-	-
Yamaha	Neo 125	--	125 2016 ->	JFA-0M78	-	-	-
Yamaha	NMAX	--	160 2017 ->	JFA-0M83	-	-	-
Yamaha	R1	--	07 -- 16	-	JFO-0Y00	-	-
Yamaha	Royal Star	XVZ 1300 A	96 -- 01	-	JFO-0411P	FCC-400	FCC-404
Yamaha	Royal Star	XVZ 1300 AT Classic	97 -- 99	-	JFO-0411P	FCC-400	FCC-404
Yamaha	Royal Star	XVZ 1300 LT	96 -- 98	-	JFO-0411P	FCC-400	FCC-404
Yamaha	Teneré 250	--	250 2010 ->	-	JFO-0017	-	-
Yamaha	Teneré 250	Tenéré Blueflex	2013 ->	-	-	FCl-0205	-
Yamaha	VMAX	VMX-12 1200	86 -- 04	-	JFO-0411P	FCC-400	FCC-404
Yamaha	XFZ	--	750 1994 ->	-	JFO-0411P	FCC-400	FCC-404
Yamaha	XJ 600	--	89 -- 91	-	JFO-0411P	FCC-400	FCC-404
Yamaha	XJ 600 N	--	93 -- 03	-	JFO-0411P	FCC-400	FCC-404
Yamaha	XJ 900 S	Diversion	95 -- 03	-	JFO-0411P	FCC-400	FCC-404
Yamaha	XJ6	F	10 -- 16	-	JFO-0Y00	-	-
Yamaha	XJ6	N	10 -- 17	-	JFO-0Y00	-	-
Yamaha	XMAX	--	250 2020 ->	JFA-0M62	-	-	-
Yamaha	XS	1000 S	81 -- 82	-	JFO-0411P	FCC-400	FCC-404
Yamaha	XT 660	R	2005 ->	-	JFO-0018	-	-
Yamaha	XT 660	Z Ténéré	2011 ->	-	JFO-0018	-	-
Yamaha	XTZ	250 Blueflex	2013 ->	-	-	FCl-0205	-
Yamaha	XTZ	250 Lander	2007 ->	-	JFO-0017	-	-
Yamaha	XTZ	750 S Tenere	90 -- 98	-	JFO-0018	-	-
Yamaha	XTZ	Crosser 150	13 -- 20	JFA-0M89	JFO-0019	-	-
Yamaha	XTZ Ténéré 1200	--	12 -- 16	-	JFO-0Y00	-	-
Yamaha	XV	1600 Wildstar	1999 ->	-	JFO-0411P	FCC-400	FCC-404
Yamaha	XV	1700 Road Star Warrior	2003 ->	-	JFO-0411P	FCC-400	FCC-404
Yamaha	XVS	Midnight Star	09 -- 16	-	JFO-0Y00	-	-
Yamaha	YZF	--	750 94 -- 97	-	JFO-0411P	FCC-400	FCC-404
Yamaha	YZF	1000 R Thunder Ace	96 -- 02	-	JFO-0411P	FCC-400	FCC-404
Yamaha	YZF	750 SP	93 -- 97	-	JFO-0411P	FCC-400	FCC-404
Yamaha	YZF	R1	07 -- 08	-	JFO-0411P	-	-
Yamaha	YZF	R1	98 -- 03	-	JFO-0411P	FCC-400	FCC-404
Yamaha	YZF	R3	2016 ->	-	JFO-0Y00	-	-
Yamaha	YZF	R6	99 -- 05	-	JFO-0411P	FCC-400	FCC-404
Yamaha	YZF	R6 600	2003 ->	-	JFO-0411P	FCC-400	FCC-404
Yamaha	YZF	R7	99 -- 00	-	JFO-0411P	FCC-400	FCC-404



# WEGA

ORIGINAL QUALITY



**WEGA**  
ORIGINAL QUALITY

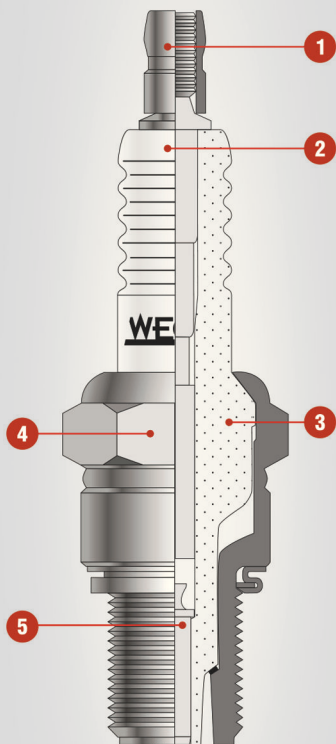
AUSPICIANTE OFICIAL  
ARGENTINA





As velas de ignição WEGA são desenvolvidas de acordo com os padrões mundiais de qualidade e tecnologia exigidas pelas montadoras.

### Características técnicas de construção de uma vela de ignição:



- 1** Terminal de conexão elétrica.
- 2** Ranhuras projetadas no isolante que evitam a fuga de corrente (centelha).
- 3** Isolador cerâmico de óxido de alumínio para melhorar à dissipação e isolação térmica.
- 4** Castelo metálico feito em aço com tratamento superficial de níquel que protege contra corrosão e travamento no cabeçote.
- 5** Eletrodo central de cobre que garante a condutividade, evitando superaquecimento.
- 6** Ponta de eletrodo central e lateral em liga de níquel que previne contra desgaste prematuro e corrosão

<b>AGRALE</b>					
Cilindradas	Motor/Versão	Ano	Código NGK	Código WEGA	Abertura eletrodo
50	CA50/SS/SL/XT		BP6ES	L15YC	0,6
50	Tchau 50		B7HS	N14C	0,6
125	Hartford 125 Legion		D8EA	M14C	0,6
200	Roadster 200		D8EA	M14C	0,6
500	Canyon 500		D8EA	M14C	0,6
750	Elefante		D8EA	M14C	0,6
<b>AMAZONAS</b>					
Cilindradas	Motor/Versão	Ano	Código NGK	Código WEGA	Abertura eletrodo
1300	Amazonas Chopper Turismo (Motor VW 1300)		BP6ES	L15YC	0,7
1300	Amazonas Chopper Turismo (Motor VW1300)		BP5HS	N17YC	0,7
1500	Amazonas Chopper Turismo (Motor VW 1500)		BP5HS	N17YC	0,7
1600	Amazonas Chopper Turismo (Motor VW 1600) - rosca longa		BP4ES	L19YC	0,7
<b>APRIILA</b>					
Cilindradas	Motor/Versão	Ano	Código NGK	Código WEGA	Abertura eletrodo
50	RS 50 Extrema / Replica / PG / SE		BR8ES	LR12	0,8
650	MOTO 6.5 MH	1995/...	D8EA	M14C	0,6
<b>ATALA - 2 RODAS DA AMAZONIA</b>					
Cilindradas	Motor/Versão	Ano	Código NGK	Código WEGA	Abertura eletrodo
50	Califfone (atala)		B6HS	N15C	0,7
50	Master (atala)		B6HS	N15C	0,7
<b>BMW</b>					
Cilindradas	Motor/Versão	Ano	Código NGK	Código WEGA	Abertura eletrodo
650	F650 34cv	1993 / 1999	D8EA	M14C	0,7
650	F650 48 cv	1993 / 1999	D8EA	M14C	0,7
650	F650 GS - Dakar Enduro 50 cv	2000 a 2003	D8EA	M14C	0,7
650	F650 GS - Enduro 50 cv	2000 a 2003	D8EA	M14C	0,7
1100	R1100 S - Sport Tourer / 98 cv	2000 a 2003	BKR6EKC	DR15ZCA	0,8
1150	R1150 GS - adventure Enduro / 85 cv	2000 a 2003	BKR7EKC	DR14ZCA	0,8
1150	R1150 GS - Enduro / 85 cv	1999 a 2003	BKR7EKC	DR14ZCA	0,8
1150	R1150 R Rockster - Roadster / 85 cv	1999 a 2003	BKR7EKC	DR14ZCA	0,8
1150	R1150 RS - Sport Tourer / 95 cv	2003	BKR7EKC	DR14ZCA	0,8
1150	R1150 RT - Roadster Tourer / 95 cv	1999 a 2003	BKR7EKC	DR14ZCA	0,8
1200	R1200 CL	2003/...	BKR7EKC	DR14ZCA	0,9
1200	R1200G - Cruiser / 61 cv	1999 a 2003	BKR7EKC	DR14ZCA	0,8
1200	R1200CL - Luxus Cruiser / 61 cv	2003 a 2005	BKR7EKC	DR14ZCA	0,9
<b>BRANCO</b>					
Cilindradas	Motor/Versão	Ano	Código NGK	Código WEGA	Abertura eletrodo
5,5hp e 4,0hp	Mini-veículo 4 HP 5,5 HP Honda 5,5 Hp e 4,0Hp		BPR6ES	LR15YC	0,7
5,0hp	Mini-veículo,5,0 HP-2T-Branco 5,0 Hp		B7HS	N14C	0,6
<b>BRANDY</b>					
Cilindradas	Motor/Versão	Ano	Código NGK	Código WEGA	Abertura eletrodo
50	50 Ciclomotor Brandy NS1		B5HS	N17C	0,6
50	Scooter Jaguar JT 50		B7HS	N14C	0,6
50	Ciclomotor Brandy NS50 / NS50A		B5HS	N17C	0,6
50	Ciclomotor Brandy Zanella Due 50		B5HS	N17C	0,6
50	Mini-veículo BX50		BP5HS	N17YC	0,6
50	Mini-veículo Triciclo TX50		BP5HS	N17YC	0,6
50	Motoneta Zanella Due 50		B5HS	N17C	0,6
50	Motoneta Zanella New Fire 50 Full		B5HS	N17C	0,6
50	Fox ATV-50 (Quadriciclo)		B7HS	N14C	0,6
90	Motoneta Scooter Speedy 100		B7HS	N14C	0,6
100	Fox ATV-100 (Quadriciclo)		B7HS	N14C	0,6
100	Scooter Jaguar JT 100		B7HS	N14C	0,6
125	Fosti FT 125A		D8EA	M14C	0,6
<b>CAGIVA</b>					
Cilindradas	Motor/Versão	Ano	Código NGK	Código WEGA	Abertura eletrodo
200	Roadster 200		D8EA	M14C	0,6
500	Canyon 500		D8EA	M14C	0,6
600	W16-600 (Terminal monobloco)		BCPR7ES	DR14Y	0,7
600	W16-600		BCPR7ES	DR14Y	0,7
750	Elefant 750		D8EA	M14C	0,6
<b>CALOI</b>					
Cilindradas	Motor/Versão	Ano	Código NGK	Código WEGA	Abertura eletrodo
50	Mobylete 50 /7 / 10 / 11		B5HS	N17C	0,6
50	AE50 (Scooter)		B7HS	N14C	0,7
80	LT 80 (Quadriciclo)		B7HS	N14C	0,7
100	AG 100 (Scooter)		B7HS	N14C	0,7



<b>DAELIM</b>					
Cilindradas	Motor/Versão	Ano	Código NGK	Código WEGA	Abertura eletrodo
100	Altino NF 100		CR8EH-9	BR12YC9	0,9
125	VC 125 advance		CR8EH-9	BR12YC9	0,9
125	VF 125D		CR8EH-9	BR12YC9	0,9

<b>DAFRA</b>					
Cilindradas	Motor/Versão	Ano	Código NGK	Código WEGA	Abertura eletrodo
50	Zig 50 OHC 3,2cv	2012/...	C7HSA	T14C	0,7
100	Super 100 6,2 cv	2007/...	C7HSA	T14C	0,7
100	Zig+ OHC 7cv	2012/...	C7HSA	T14C	0,7
150	Scooter Laser 150 / 11,5 cv	2007/...	C7HSA	T14C	0,7
150	Kansas 150 13,1 cv	2007/...	D8EA	M14C	0,8
150	Speed 150 13,2cv	2008/...	D8EA	M14C	0,7
150	Street Speed 150 13,2 cv	2007/...	D8EA	M14C	0,8

<b>FBM</b>					
Cilindradas	Motor/Versão	Ano	Código NGK	Código WEGA	Abertura eletrodo
125	Rallye 15-5		BP6ES	L15YC	0,6
125	Street MS 15-5		BP6ES	L15YC	0,6
200	Rallye MR		BP6ES	L15YC	0,6
200	Street MS		BP6ES	L15YC	0,6

<b>GAS GAS</b>					
Cilindradas	Motor/Versão	Ano	Código NGK	Código WEGA	Abertura eletrodo
125	TXT 125	1999/...	BPR5ES	LR17YC	0,8
200	TXT 200	1999/...	BPR5ES	LR17YC	0,8
250	Pamper / 250		BPR6ES	LR15YC	0,8
280	TXT 280	2000/...	BP5ES	L17YC	0,8
321	TXT 321	1999/...	BPR5ES	LR17YC	0,8

<b>HATSUTA</b>					
Cilindradas	Motor/Versão	Ano	Código NGK	Código WEGA	Abertura eletrodo
37	Imai JD-37 (Walk Machine)		BPM6A	P15YC	0,6

<b>HARLEY DAVIDSON</b>					
Cilindradas	Motor/Versão	Ano	Código NGK	Código WEGA	Abertura eletrodo
1340	Bad Boy / FLSTF / FLSTC / FLHR / FLSTN / FLHTC / FLHT / FL V-2 Evolution	1984/...	BPR5ES	LR17YC	1,1
1340	FLSTF / FX V-2 Evolution / FXD / FXDG / FXDL / FXDS / FXSTC / FXSTS	1985/...	BPR5ES	LR17YC	1,1

<b>HONDA</b>					
Cilindradas	Motor/Versão	Ano	Código NGK	Código WEGA	Abertura eletrodo
100	C 100 Biz		C6HSA	T15C	0,6
100	C 100 Dream		C7HSA	T14C	0,6
100	POP 100 6,5 cv	2007/...	C7HSA	T14C	0,6
125	Bros 125 / KS / ES	2012/...	CPR8EA-9	BR12YCA9	0,9
125	CG 125 Cargo / 11,6cv	2009/...	CPR8EA-9	BR12YCA9	0,9
125	CG 125 FAN / 11,6cv	2009/...	CPR8EA-9	BR12YCA9	0,9
125	CG	até 09/1991	D8EA	M14C	0,6
125	CG Cargo	até 09/1991	D8EA	M14C	0,6
125	FS 125		D8EA	M14C	0,6
125	ML	até 09/1991	D8EA	M14C	0,6
125	Turuna	até 09/1991	D8EA	M14C	0,6
125	XL 125 Duty		D8EA	M14C	0,6
125	XL 125S		D8EA	M14C	0,6
150	CBX 150 aero	até 09/1991	D8EA	M14C	0,6
150	CG Cargo / FlexOne (14,2cv gas. / 14,3cv eta.)		CPR8EA-9	BR12YCA9	0,9
150	CG Fan / FlexOne (14,2cv gas. / 14,3cv eta.)	06/2013/...	CPR8EA-9	BR12YCA9	0,9
150	CG FAN / Mix (14,2cv gas. / 14,3cv eta.)	10/2010	CPR8EA-9	BR12YCA9	0,9
150	CG FAN / Esi (14,2cv)	11/2008 a 9/2010	CPR8EA-9	BR12YCA9	0,9
150	CG Fan / OHC ( 14,2cv gas. / 14,3cv ált. )	2011/...	CPR8EA-9	BR12YCA9	0,9
150	CG Job / 14,2cv Gasolina	2004/...	CPR8EA-9	BR12YCA9	0,9
150	CG Sport / 15,3cv Gasolina	2005/...	CPR8EA-9	BR12YCA9	0,9
150	CG Titan / FlexOne (14,2cv gas. / 14, 3cv eta.)	06/2013	CPR8EA-9	BR12YCA9	0,9
150	CG Titan / 14,2cv Gasolina	2004/...	CPR8EA-9	BR12YCA9	0,9
150	CG Titan / Mix (14,2cv gas. / 14,3cv eta.)	2009/...	CPR8EA-9	BR12YCA9	0,9
150	CG Titan / OHC (14,2cv gas. / 14,3cv eta.)	2011/...	CPR8EA-9	BR12YCA9	0,9
150	CRF 150F / OHC (14cv)	2012/...	CPR8EA-9	BR12YCA9	0,9
150	NXR 150 Bros (13,8cv / 8000 rpm)	03/2009	CPR8EA-9	BR12YCA9	0,9
150	NXR 150 Bros (13,8cv gas. / 14,0cv eta.)	10/2010	CPR8EA-9	BR12YCA9	0,9
150	NXR 150 Bros (14cv / 8.000 RPM) Gasolina Desde 2006	2006/...	CPR8EA-9	BR12YCA9	0,9
150	NXR Bros / FlexOne (13,8cv gas. / 14, 0cv eta.)	06/2013/...	CPR8EA-9	BR12YCA9	0,9
150	NX 150	até 1991	D8EA	M14C	0,6
160	CG 160 Fan	2015/...	CPR8EA-9	BR12YCA9	0,9
160	CG 160 Titan Bicomustível	2015/...	CPR8EA-9	BR12YCA9	0,9
160	NXR 160 Bros / Flexone (14,5cv gas. /14,7cv eta.)	2015/...	CPR8EA-9	BR12YCA9	0,9



<b>HONDA</b>					
Cilindradas	Motor/Versão	Ano	Código NGK	Código WEGA	Abertura eletrodo
180	180 Comstar		D8EA	M14C	0,6
190	XRE 190 ( 16,3cv gas. / 16,4cv eta. )	2016/...	CPR8EA-9	BR12YCA9	0,9
250	XL 250R		D8EA	M14C	0,6
250	XR 250 Tornado	2001/...	CR8EH-9	BR12YC9	0,6
250	CBX 250 Twister	2001/...	CR8EH-9	BR12YC9	0,9
400	CB 400	400/...	D8EA	M14C	0,6
400	CB 400 II	400 II/...	D8EA	M14C	0,6
450	CB 450DX	até 1998	D8EA	M14C	0,6
450	CBR 450SR	até 1998	D8EA	M14C	0,6
CB500F	CB 500F / 50,4cv gas.	2013/...	CPR8EA-9	BR12YCA9	0,9
CB500X	CB 500X ( 50,4cv )	2013/...	CPR8EA-9	BR12YCA9	0,9
CBR500R	CBR 500R / 50,4cv	2014/...	CPR8EA-9	BR12YCA9	0,9
500	CB 500	1998 a 2003	CR8EH-9	BR12YC9	0,9
750	Magna VF 750	1994 a 1998	CR8EH-9	BR12YC9	0,9
1800	Gold Wing 1800 118 cv	2001 a 2010	BKR6E-11	DR15YVC1	1,1
<b>IBRAMOTO</b>					
Cilindradas	Motor/Versão	Ano	Código NGK	Código WEGA	Abertura eletrodo
50	Eureka		B7HS	N14C	0,6
50	Garelli 3		B7HS	N14C	0,6
50	Katia		B7HS	N14C	0,6
50	T50		B7HS	N14C	0,6
<b>JIALING</b>					
Cilindradas	Motor/Versão	Ano	Código NGK	Código WEGA	Abertura eletrodo
70	JH 70		C7HSA	T14C	0,6
125	JH 125L		D8EA	M14C	0,6
125	JH 125		D8EA	M14C	0,6
<b>KASINSKI</b>					
Cilindradas	Motor/Versão	Ano	Código NGK	Código WEGA	Abertura eletrodo
50	CAB 50		BP6HS	N15YC	0,7
50	SOFT 50 3,5cv	2012/...	C7HSA	T14C	0,6
110	Midas		C6HSA	T15C	0,7
110	Win 110 7,07 cv	2006/...	C7HSA	T14C	0,7
125	Cruise / GF / RX		CR8EH-9	BR12YC9	0,9
125	Seta 125 / 11,5 cv	2007/...	CR8EH-9	BR12YC9	0,9
150	CRZ 150 13,5 cv	2011/...	D8EA	M14C	0,7
150	CRZ 150 SM 13,5 cv	2010/...	D8EA	M14C	0,7
150	Mirage 150 13,4 cv	2011/...	D8EA	M14C	0,7
<b>KAWASAKI</b>					
Cilindradas	Motor/Versão	Ano	Código NGK	Código WEGA	Abertura eletrodo
200	KDX 200	97 a 2006	BR8ES	LR12	0,8
220	KDX 220A / R	1997	BR8ES	LR12	0,8
300	KLF 300 / B / C (Quadriciclo)	1999 a 2005	D8EA	M14C	0,7
<b>KTM</b>					
Cilindradas	Motor/Versão	Ano	Código NGK	Código WEGA	Abertura eletrodo
50	50 SXR	1995/...	B7HS	N14C	0,6
50	SX 50 / 50 SX3	1994 a 1995	B7HS	N14C	0,6
250	EXC 250 - 2T Enduro Competition	2005 a 2006	BR7ES	LR14	0,6
400	EXC 400	1994 a 1998	D8EA	M14C	0,6
540	SXC 540	1998/...	D8EA	M14C	0,6
620	620 SC	1996/...	D8EA	M14C	0,7
620	620 SX	1996/...	D8EA	M14C	0,7
620	SX 620	1996/...	D8EA	M14C	0,6
<b>LAMBRETA</b>					
Cilindradas	Motor/Versão	Ano	Código NGK	Código WEGA	Abertura eletrodo
50	Ponei BP / Torkita		B6HS	N15C	0,6
125	Tork 5 / Trail / Tork 125 Pit		BP6ES	L15YC	0,6
150	Cynthia / LI 150		B6ES	L15C	0,6
150	Motoneta MS 150		B6ES	L15C	0,6
150	Tork 150 BR / Lambreta BR		B6ES	L15C	0,6
175	Cynthia BP		B6ES	L15C	0,6
175	L 175		B6ES	L15C	0,6
175	Lambreta BR		B6ES	L15C	0,6
175	Moto Carga 300		B6ES	L15C	0,6
175	Motoneta 175		B6ES	L15C	0,6
175	Trailer / Triciclo		B6ES	L15C	0,6
175	Xispa / TS / TE		B6ES	L15C	0,6

<b>MICRO MACHINE</b>					
Cilindradas	Motor/Versão	Ano	Código NGK	Código WEGA	Abertura eletrodo
37	Machine Cargo 1 Hp		BPM6A	P15YC	0,6
37	Motorella JD-37 1,5 cv		BPM6A	P15YC	0,6
37	Walk Machine Millennium 1 Hp		BPM6A	P15YC	0,6
<b>MIZA</b>					
Cilindradas	Motor/Versão	Ano	Código NGK	Código WEGA	Abertura eletrodo
125	Easy 125 6 CV		C7HSA	T14C	0,6
125	Skema 125		D8EA	M14C	0,6
<b>MONARK</b>					
Cilindradas	Motor/Versão	Ano	Código NGK	Código WEGA	Abertura eletrodo
50	M50 / MS50 / MSL50 (motor Sachs)		B6HS	N15C	0,6
50	M50 / MS50 / MSL50 (motor Termo)		B5HS	N17C	0,6
<b>MOTO GUZZI</b>					
Cilindradas	Motor/Versão	Ano	Código NGK	Código WEGA	Abertura eletrodo
1064	California EV	1994 a 2001	BPR6ES	LR15YC	0,8
1100	California 1100		BPR6ES	LR15YC	0,8
1100	California Jackal	1999 a 2001	BPR6ES	LR15YC	0,8
1100	QUOT/ 1100 ES	1998/...	BPR6ES	LR15YC	0,8
1100	V11 Le M/ns KS		BPR6ES	LR15YC	0,9
1100	V11 Sport	1998 a 2001	BPR6ES	LR15YC	0,8
<b>MOTOVESPA</b>					
Cilindradas	Motor/Versão	Ano	Código NGK	Código WEGA	Abertura eletrodo
150	Vespa PX 150 / P 150E / P 150S / P 150X		B6HS	N15C	0,6
200	Vespa 200 TX / Elestart		B7ES	L14C	0,6
200	Vespa PX 200E / GT / Elestart		B6ES	L15C	0,6
<b>MOTOVI</b>					
Cilindradas	Motor/Versão	Ano	Código NGK	Código WEGA	Abertura eletrodo
50	Puch Maxisuper		B6HS	N15C	0,6
1200	Harley Davidson FLH 1200		BP5HS	N17YC	0,6
<b>PANDA</b>					
Cilindradas	Motor/Versão	Ano	Código NGK	Código WEGA	Abertura eletrodo
50	Panda II		B5HS	N17C	0,6
<b>PEUGEOT</b>					
Cilindradas	Motor/Versão	Ano	Código NGK	Código WEGA	Abertura eletrodo
100	Trekker 100/ Speedfi ght 100 (Scooter)		BR8ES	LR12	0,7
<b>POLARIS</b>					
Cilindradas	Motor/Versão	Ano	Código NGK	Código WEGA	Abertura eletrodo
500	Sportsman 500 X2 / X2 500 EFI (Quadríciclo)	2006 / 2007	BKR6E	DR15YVC	0,9
500	Sportsman 500/500 EFI (Quadríciclo)	2005 / 2007	BKR6E	DR15YVC	0,9
<b>SANYANG</b>					
Cilindradas	Motor/Versão	Ano	Código NGK	Código WEGA	Abertura eletrodo
110	Passing (Scooter)		BP6HS	N15YC	0,7
150	Husky		D8EA	M14C	0,7
<b>SUNDOWN</b>					
Cilindradas	Motor/Versão	Ano	Código NGK	Código WEGA	Abertura eletrodo
49	Ergon / Palio		BP6HS	N15YC	0,7
49	Fifty		BP6HS	N15YC	0,7
49	Super Fifty		B7HS	N14C	0,7
100	Hunter 100 7 cv	2008/...	C7HSA	T14C	0,7
100	Web 100	até 2004	C7HSA	T14C	0,7
90	Hunter 90	2006/...	C7HSA	T14C	0,7
125	Future	2005	C7HSA	T14C	0,7
200	STX 200 Motard 16,7 cv	2007 a 2008	D8EA	M14C	0,7
250	Vblade 250	2006/...	C7HSA	T14C	0,7
<b>SUZUKI</b>					
Cilindradas	Motor/Versão	Ano	Código NGK	Código WEGA	Abertura eletrodo
125	GS Katana 125		D8EA	M14C	0,7
250	GN Intruder 250		D8EA	M14C	0,7

<b>TANI MOTO SHOP</b>					
Cilindradas	Motor/Versão	Ano	Código NGK	Código WEGA	Abertura eletrodo
37	Micromoto Kenny		B6HS	N15C	0,6
<b>YAMAHA</b>					
Cilindradas	Motor/Versão	Ano	Código NGK	Código WEGA	Abertura eletrodo
75	RD 75		B7HS	N14C	0,6
105	Crypton		C7HSA	T14C	0,7
115	Crypton ED / K 8,2 cv	2010/...	C6HSA	T15C	0,7
160	N Max (15,1cv) Gasolina Desde 2016	2016/...	CPR8EA-9	BR12YCA9	0,9
200	YFS 200	2001 a 2006	BR8ES	LR12	0,8
350	RD 350LC / RD 350R		BR8ES	LR12	0,8
535	XV 535-S Virago		BPR6ES	LR15YC	0,8

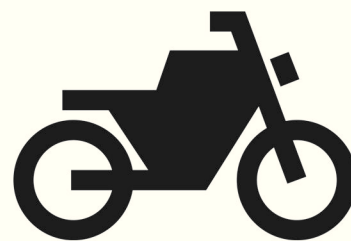
## ***Velas de ignição WEGA*** ***MELHOR DESEMPENHO PARA SUA MOTO***





# WEGA

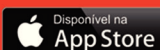
ORIGINAL QUALITY



## NOSSO APLICATIVO ESTÁ COM CARA NOVA!

- ✓ Aplicações
- ✓ Conversões
- ✓ Dados técnicos
- ✓ Lançamentos
- ✓ Informativos
- ✓ Fotos dos produtos
- ✓ Representantes

BAIXE AGORA EM  
TODAS AS PLATAFORMAS!



A Wega Motors se reserva o direito de alterar as informações contidas neste catálogo sem aviso prévio. Imagens meramente ilustrativas. Para maiores informações, consulte nosso catálogo online.



site WEGA  
[www.wegamotors.com](http://www.wegamotors.com)



facebook  
[wegamotorsbr](https://www.facebook.com/wegamotorsbr)



instagram  
[@wegamotorsbr](https://www.instagram.com/wegamotorsbr)



assistência técnica  
11 2219-6800  
11 2219-6801



catálogo eletrônico  
consulte nosso site e aplicativos



SAC  
0800 742 1000